



Battery Specification Sheet

DRY0085 D

Technical Specifications

Industry Size:	D
ANSI/NEDA #:	13A
IEC #:	LR20
Nominal Voltage:	1.5 V
Nominal Capacity: <i>(100 load 4h/d to 0.9V @ 20° C)</i>	15.5 Ah
Chemistry:	Alkaline (Zinc Manganese Dioxide)

Physical Specifications

Height:	61.4 mm	2.42 in.
Diameter:	33.5 mm	1.32 in.
Typical Weight:	145.0 g	5.11 oz.
Terminal Type:	Button Positive/Flat Negative	

*Maximum dimensions

Capacity Specifications

Initial	
Off-Load Voltage:	1.58-1.65 V
On-Load Voltage:	≥ 1.49 V
Short Circuit Current:	12.0 A

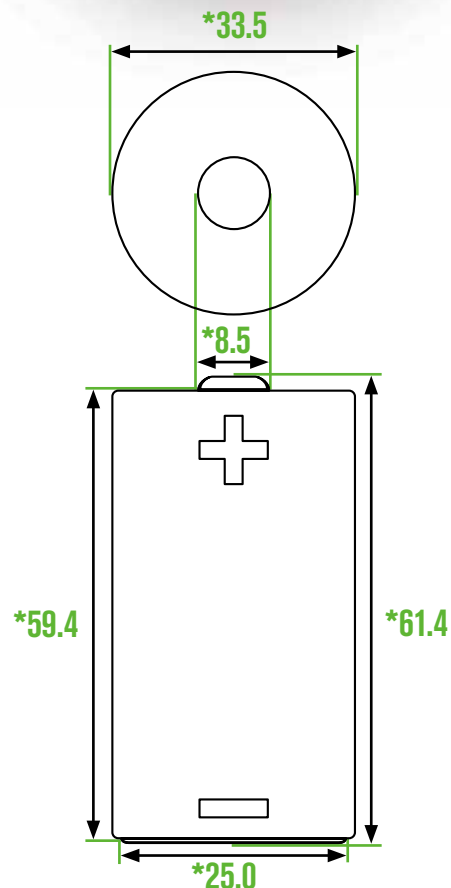
After 12 Months Storage

Off-Load Voltage:	1.55-1.65 V
On-Load Voltage:	≥ 1.445 V
Short Circuit Current:	10.0 A
Shelf Life:	7 years

Made in China.

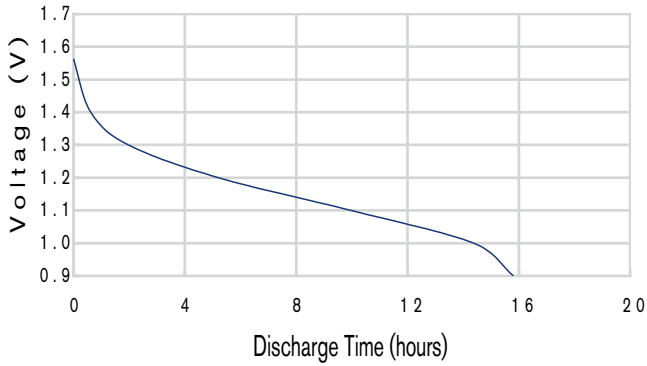
Due to changes in manufacturing processes, specifications are subject to change without notice.

CAUTION: Do not install backward, charge, disassemble, put in fire or mix with other battery types. This could cause batteries to explode or leak chemicals, causing injury. Do not carry loose batteries in your pocket or purse. Replace all batteries at the same time. Dispose of used batteries properly. **KEEP OUT OF REACH OF CHILDREN.** If swallowed, promptly seek medical attention.

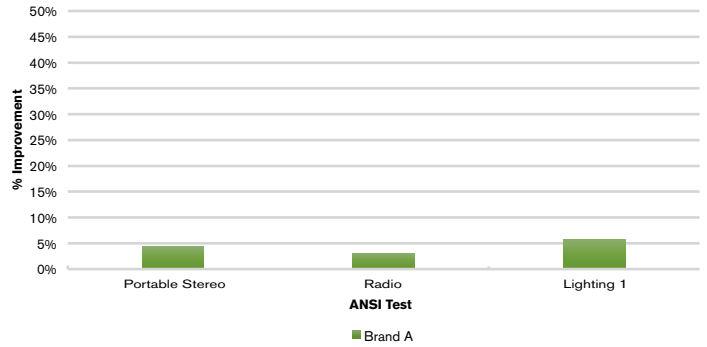




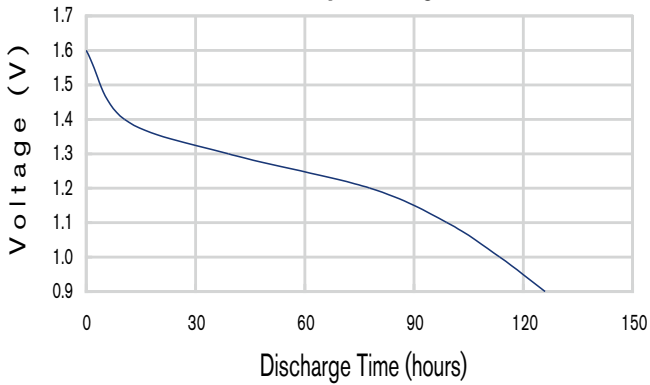
600 mA 2hour/day Discharge Curve



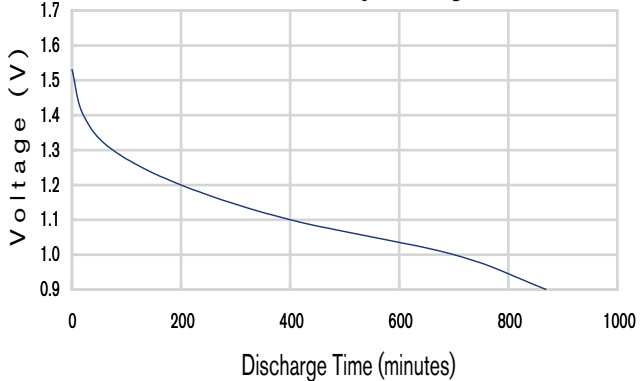
D Performance Percent Improvement Compared To Leading Brand



10Ω 4hour/day Discharge Curve



1.5Ω 4m/15m-8h/day Discharge Curve



CAUTION: Do not install backward, charge, disassemble, put in fire or mix with other battery types. This could cause batteries to explode or leak chemicals, causing injury. Do not carry loose batteries in your pocket or purse. Replace all batteries at the same time. Dispose of used batteries properly. **KEEP OUT OF REACH OF CHILDREN.** If swallowed, promptly seek medical attention.